

Outdoor Series

LRX-20-50W-MCTP

SAFETY INSTRUCTION

- Read instructions carefully before attempting to install fixture. Retain instruction for future reference.
- Disconnect power before installing or servicing. This fixture must be wired in accordance with the National Electrical Code and applicable local codes and ordinances.
- All wiring should be performed by a qualified electrician. This fixture is for outdoor use and should not be used in areas with limited ventilation or high ambient temperatures.

INSTALLATION- Directly fix to mounting surface

1. Do not remove any part of the fixture.
2. Specification please see the label on fixture.
3. Use expansion bolts to secure the fixture on mounting surface.
(See Fig. 1&Fig.2)
4. Keep enough length wires to ensure adjusting angle unhindered.
5. Connect wires into wiring terminal; white wire to “Neutral” terminal, black wire to “Live” terminal, green wire to “Ground” terminal;and fix them by screws.

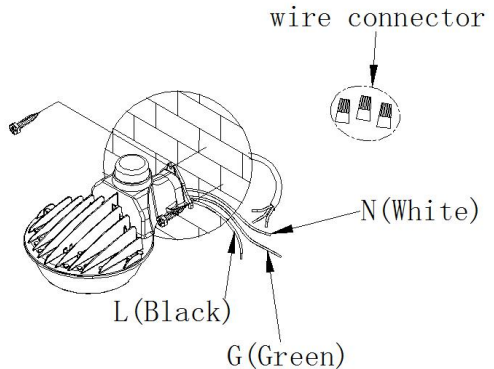


FIG. 1

6. Please mention the main specification as following before wiring. (See Table 1)

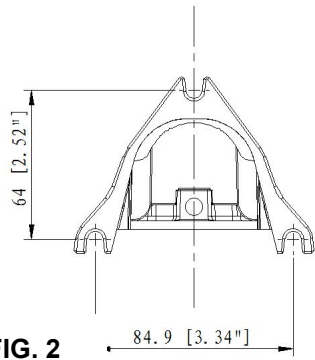


FIG. 2

INSTALLATION- Fix to mounting surface with an arm

1. Connect the wire in same color (correspond to wire N, L and G) together with a wire connector.
2. Put one end of the tube into the U-slot, and then fix the tube with two hex socket screws. Please make sure that the tube will not rotate. (See Fig. 3)
3. Fixed -clamp on the pipe in a right position and make sure that the pipe will not rotate.
4. Install the light fixture on the wall with four screws.

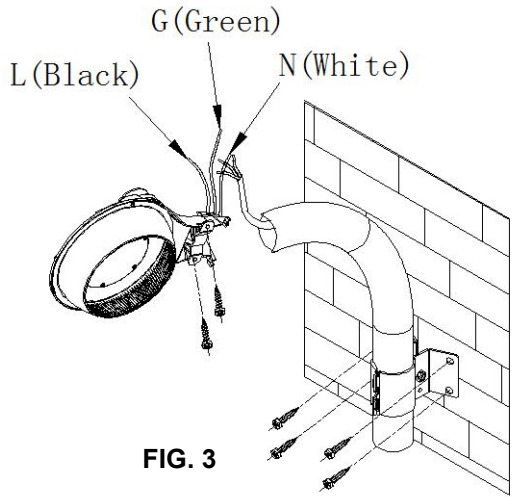


FIG. 3

Table 1

Item	Model	Input Voltage	Input Current	Watt
A	LRX-20-50W-MCTP	100-277VAC	0.72A	20W/30W/40W/50W

Wattage tunable (Optional)

Diagrams and Methods of Watt Selectable Function:

1. Please unscrew the knob cap before using the watt selectable function. (See FIG. A)
2. According to the watt selectable label shown in the diagram, please toggle the DIP switch 1,2,3 to select the corresponding watt. (See FIG. B)
3. Screw the knob cap after using the watt selectable function. (See FIG. C)

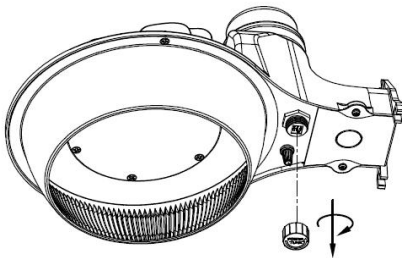


FIG. A

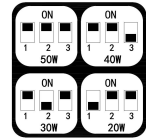
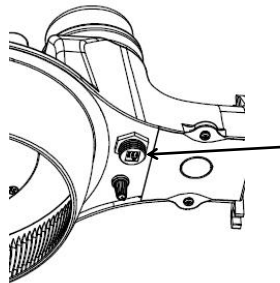


FIG. B

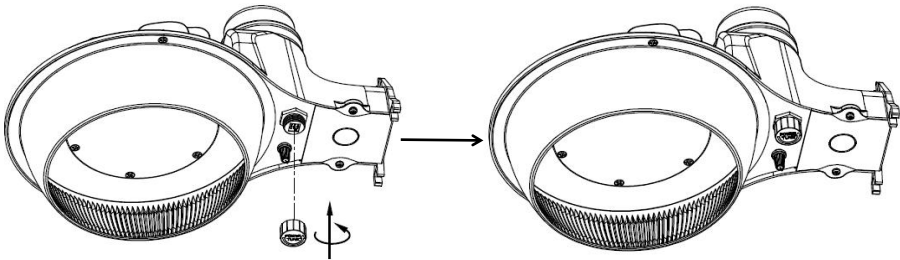
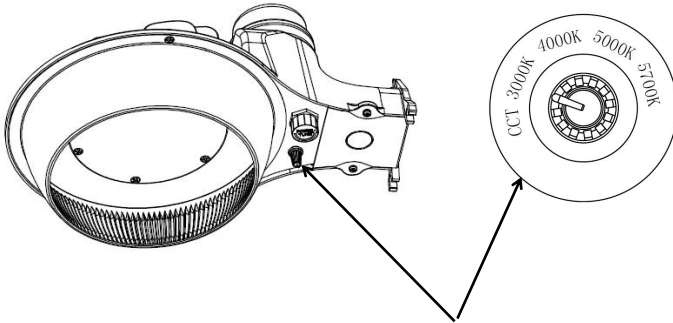


FIG. C

CCT tunable (Optional)

Diagrams and Methods of CCT Selectable Function:

Please screw the knob cap to select the corresponding CCT.



CCT Tunable selector
(3000/4000/5000/5700K)

After installation, please

- check whether the lighting fixture is firmly fixed.
- check whether wires are connected correctly.
- At last, turn on the power, and check if the lighting fixture works well. If not, please turn off the power and contact with local dealer.